



1.25G DWDM Transceiver

Hot Pluggable, Duplex LC, DWDM DFB, SMF 160KM (38dB Budget), DDM

Part Number: FSFP-C7-Dxx-A6D-U38



Overview

FSFP-C7-Dxx-A6D-U38 Small Form Factor Pluggable SFP transceivers are compliant with the current SFP Multi-Source Agreement (MSA) Specification. There are 45 channels ITU-T 100GHz C-Band DWDM wavelengths available from 1528.77nm(CH61) to 1563.86nm(CH17). The high performance Cooled DWDM DFB transmitter and high APD receiver provide superior performance for 1.25G DWDM applications up to SMF 160km (38dB Budget) optical links.

Applications

- Gigabit Ethernet @1.25G
- Fiber Channel 1GFC @1.0625G
- DWDM Networks

Features

- Compliant with IEEE802.3z Gigabit Ethernet
- Compatible with Fiber Channel 100-SM-LL-V
- Compliant with INF-8074i SFP MSA
- Hot Pluggable
- Cooled DWDM DFB laser transmitter
- APD receiver
- 45 channels ITU-T 100GHz C-Band DWDM wavelength CH17~CH61 available
- Duplex LC connector
- 2-wire interface for management and diagnostic monitor compliant with SFF-8472
- Single +3.3V power supply
- Maximum Power consumption 1.5W
- Link distance 160km (38dB Budget) over SM fiber
- RoHS Compliant

Laser Safety

- This is a Class 1 Laser Product complies with 21 CFR 1040.10 and 1040.11 except for conformance with IEC 60825-1 Ed. 3., as described in Laser Notice No. 56, dated May 8, 2019.
- Caution: Use of control or adjustments or performance of procedure other than those specified herein may result in hazardous radiation exposure.



Absolute Maximum Ratings

Parameters	Symbol	Min.	Max.	Unit
Storage Temperature	T _{ST}	-40	+85	°C
Storage Relative Humidity	RH	5	95	%
Supply Voltage	V _{CC}	-0.5	+4.0	V

Recommended Operating Conditions

Parameters	Symbol	Min.	Typ.	Max.	Unit
Case Operating Temperature	T _{OP}	0	-	+70	°C
Supply Voltage	V _{CC}	+3.13	+3.3	+3.47	V
Supply Current	I _{CC}			450	mA
Power Consumption	P			1.5	W

Transmitter Electro-optical Characteristics

V_{CC}= 3.13V to 3.47V, T_{OP} = 0 °C to 70 °C

Parameters	Symbol	Min.	Typ.	Max.	Unit	Note
Operating Data Rate	DR	1.0625	1.25		Mb/s	
Optical Launch Power	P _O	+2		+6	dBm	1
Optical Center Wavelength	λ _c	λ _c -0.1	λ _c	λ _c +0.1	nm	
Spectral Width (-20dB)	Δλ			1	nm	
Side Mode Suppression Ratio	SMSR	30			dB	
Optical Extinction Ratio	ER	9			dB	
Transmitter Dispersion Penalty	TDP			3	dB	
Optical Eye Mask		IEEE802.3z				
Relative Intensity Noise	RIN			-128	dB/Hz	
Differential Data Input Swing	V _{IN}	180		700	mV	
Tx Disable Input Voltage-Low (Tx ON)	TDISV _L	GND		0.8	V	
Tx Disable Input Voltage-High (Tx OFF)	TDISV _H	2.0		V _{CC}	V	
Tx Fault Output Voltage-Low (Tx Normal)	TFLT _{V_L}	GND		0.8	V	
Tx Fault Output Voltage-High (Tx Fault)	TFLT _{V_H}	2.0		V _{CC}	V	

Note1: The optical power is launched into a 9/125μm single mode fiber.



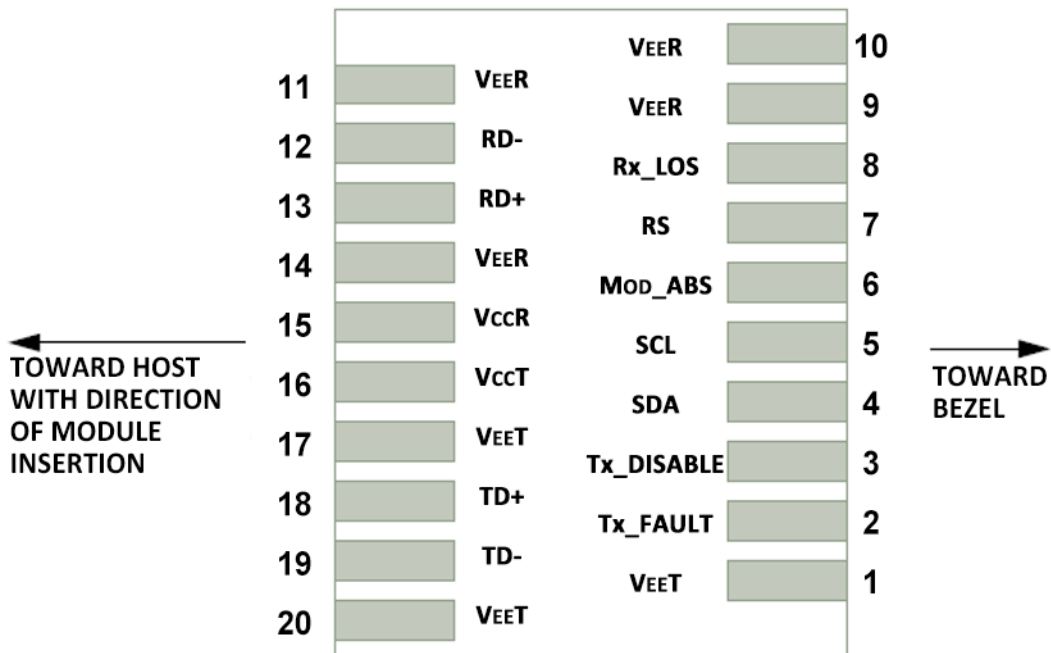
Receiver Electro-optical Characteristics

V_{CC} = 3.13V to 3.47V, T_{OP} = 0 °C to 70 °C

Parameters	Symbol	Min.	Typ.	Max.	Unit	Note
Operating Data Rate	DR	1.0625	1.25		Mb/s	
Receiver Sensitivity	SEN			-36	dBm	1
Maximum Receive Power	PRX-MAX	-7			dBm	1
Optical Center Wavelength	λ _c	1260		1620	nm	
LOS De-Assert	LOS _D			-37	dBm	
LOS Assert	LOS _A	-46			dBm	
LOS Hysteresis	LOS _{HY}	0.5			dB	
Differential Data Output Swing	V _{OUT}	300		850	mV	
Receiver LOS Signal Output Voltage-Low	LOS _{VL}	GND		0.8	V	
Receiver LOS Signal Output Voltage-High	LOS _{VH}	2.0		V _{CC}	V	

Note1: Measured with a PRBS 2⁷-1 test pattern @1.25Gbps BER<10⁻¹².

Pin Assignment



Host PCB SFP Pad Assignment Top View



Pin Description

Pin	Name	Function / Description
1	VEET	Transmitter Ground
2	Tx_FAULT	Transmitter Fault Indication (1)
3	Tx_DISABLE	Transmitter Disable – Turns off transmitter laser output (2)
4	SDA	2-wire Serial Interface Data Line (SDA: Serial Data Signal) (3)
5	SCL	2-wire Serial Interface Clock (SCL: Serial Clock Signal) (3)
6	MOD_ABS	Module Absent, connected to VEET or VEER in the module (3)
7	RS	Rate Select, optional (5)
8	Rx_LOS	Receiver Loss of Signal Indication (4)
9	VEER	Receiver Ground
10	VEER	Receiver Ground
11	VEER	Receiver Ground
12	RD-	Receiver Inverted Data output, Differential LVPECL, AC coupled
13	RD+	Receiver Non-Inverted Data output, Differential LVPECL, AC coupled
14	VEER	Receiver Ground
15	VccR	Receiver 3.3V Power Supply
16	VccT	Transmitter 3.3V Power Supply
17	VEET	Transmitter Ground
18	TD+	Transmitter Non-Inverted Data Input, Differential LVPECL, AC coupled
19	TD-	Transmitter Inverted Data Input, Differential LVPECL, AC coupled
20	VEET	Transmitter Ground

Note1: Tx Fault is open collector/drain output which should be pulled up externally with a 4.7K~10KΩ resistor on the host board to supply $V_{ccT}+0.3V$ or $V_{ccR}+0.3V$. When high, this output indicates a laser fault of some kind. Low indicates normal operation. In the low state, the output will be pulled to <math><0.8V</math>.

Note2: Tx Disable input is used to shut down the laser output per the state table below. It is pulled up within the module with a 4.7K~10KΩ resistor. 1) Low(0~0.8V): Transmitter on; 2) Between(0.8V and 2V): Undefined; 3) High (2.0~ VccT): Transmitter Disabled; 4) Open: Transmitter Disabled.

Note3: These are the module definition pins. They should be pulled up with a 4.7K~10KΩ resistor on the host board to supply less than $V_{ccT}+0.3V$ or $V_{ccR}+0.3V$. MOD_ABS is grounded by the module to indicate that the module is present.

Note4: Rx_LOS (Loss of signal) is an open collector/drain output which should be pulled up externally with a 4.7K~10KΩ resistor on the host board to supply $V_{ccT}+0.3V$ or $V_{ccR}+0.3V$. When high, this output indicates the received optical power is below the worst case receiver sensitivity (as defined by the standard in use). Low indicates normal operation. In the low state, the output will be pulled to <math><0.8V</math>.

Note5: No connect on this module.



Digital Diagnostic Functions

As defined by the SFP MSA (SFF-8472) Ficer's SFP transceivers provide digital diagnostic functions via a 2-wire serial interface, which allows real-time access to the following operating parameters:

- Transceiver temperature
- Laser bias current
- Transmitted optical power
- Received optical power
- Transceiver supply voltage

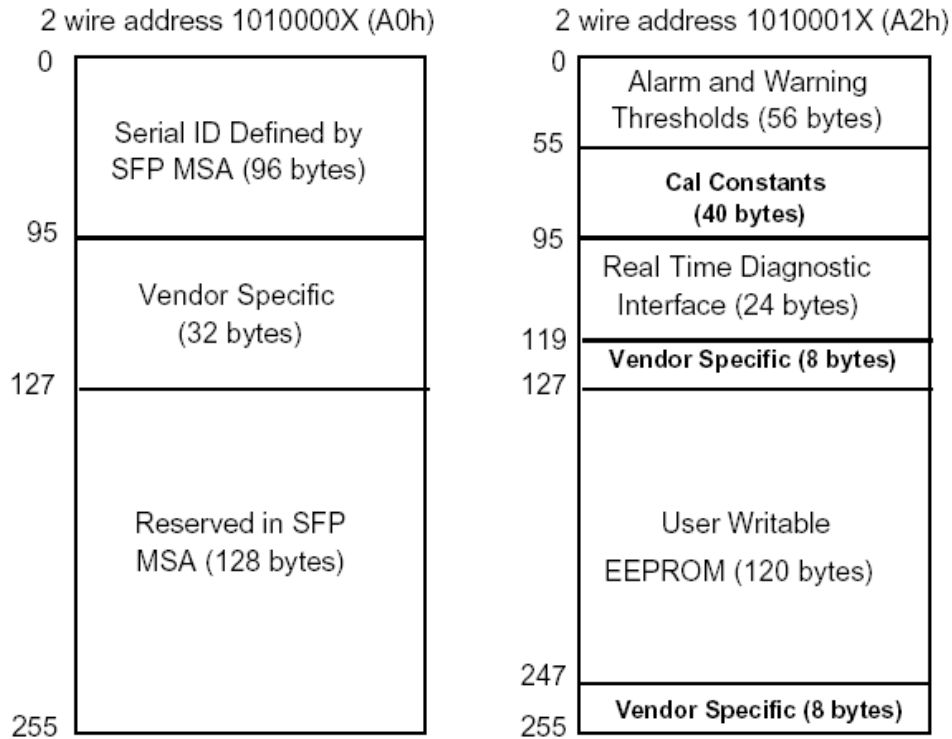
It also provides a sophisticated system of alarm and warning flags, which may be used to alert end-users when particular operating parameters are outside of a factory-set normal range.

The operating and diagnostics information is monitored and reported by a Digital Diagnostics Controller (DDC) inside the transceiver, which is accessed through the 2-wire serial interface. When the serial protocol is activated, the serial clock signal (SCL pin) is generated by the host. The positive edge clocks data into the SFP transceiver into those segments of its memory map that are not write-protected. The negative edge clocks data from the SFP transceiver. The serial data signal (SDA pin) is bi-directional for serial data transfer. The host uses SDA in conjunction with SCL to mark the start and end of serial protocol activation. The memories are organized as a series of 8-bit data words that can be addressed individually or sequentially.

For more detailed information including memory map definitions, please see the SFP MSA (SFF-8472) Specification.



Digital Diagnostic Memory Map

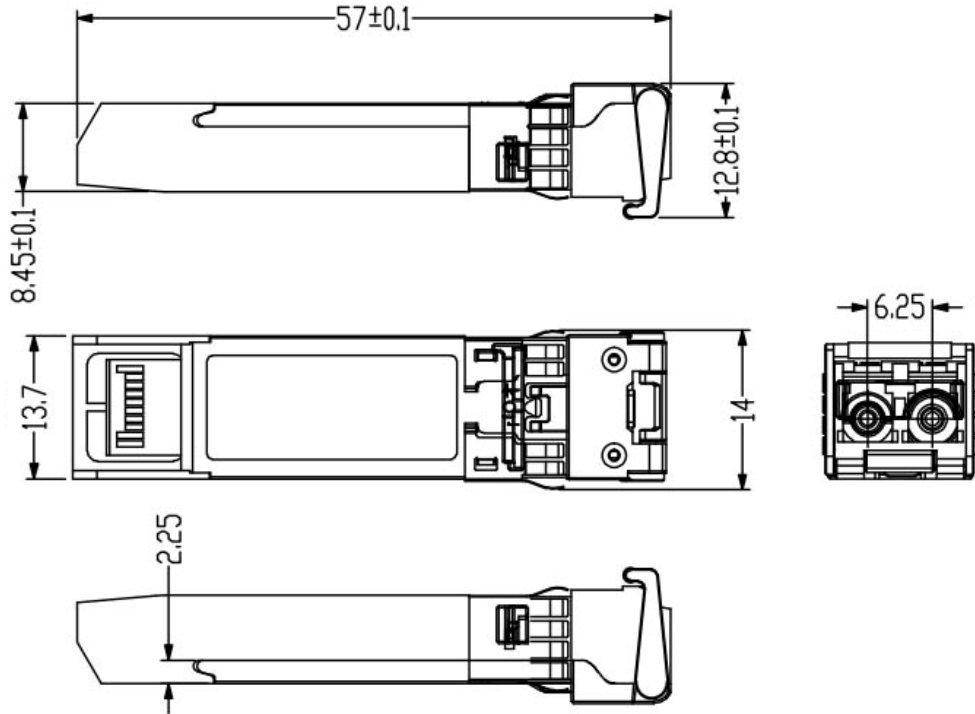


Digital Diagnostic Monitoring Characteristics

Parameter	Accuracy	Unit	Note
Temperature	±3	°C	Internal Calibration
Supply Voltage	±0.1	V	Internal Calibration
Tx Bias Current	±5	mA	Internal Calibration
Tx Output Power	±3	dB	Internal Calibration
Rx Received Optical Power	±3	dB	Internal Calibration



Mechanical Dimensions



(All Dimensions are $\pm 0.20\text{mm}$ Unless Otherwise Specified, Unit: mm)

Ordering Information

Part No.	Tx	Rx	Link	DDM	Temp.
FSFP-C7-Dxx-A6D-U38	100GHz ITU Grid C-Band DWDM	1260nm ~ 1620nm	SMF 160km 38dB Budget	Yes	0~70°C

ps: xx=DWDM Channel Number. Please refer to appendix A for more detail.

NOTE: Distances are indicative only. To calculate a more precise link budget based on specific conditions in your application, please refer to the optical characteristics.



Appendix A: 100GHz ITU Grid DWDM Central Wavelength Table

Channel	Central Wavelength(nm)	Frequency (THZ)
CH61	1528.77	196.1
CH60	1529.55	196.0
CH59	1530.33	195.9
CH58	1531.12	195.8
CH57	1531.90	195.7
CH56	1532.68	195.6
CH55	1533.47	195.5
CH54	1534.25	195.4
CH53	1535.04	195.3
CH52	1535.82	195.2
CH51	1536.61	195.1
CH50	1537.40	195.0
CH49	1538.19	194.9
CH48	1538.98	194.8
CH47	1539.77	194.7
CH46	1540.56	194.6
CH45	1541.35	194.5
CH44	1542.14	194.4
CH43	1542.94	194.3
CH42	1543.73	194.2
CH41	1544.53	194.1
CH40	1545.32	194.0
CH39	1546.12	193.9
CH38	1546.92	193.8
CH37	1547.72	193.7
CH36	1548.51	193.6
CH35	1549.32	193.5
CH34	1550.12	193.4
CH33	1550.92	193.3
CH32	1551.72	193.2
CH31	1552.52	193.1
CH30	1553.33	193.0
CH29	1554.13	192.9
CH28	1554.94	192.8
CH27	1555.75	192.7
CH26	1556.55	192.6
CH25	1557.36	192.5
CH24	1558.17	192.4
CH23	1558.98	192.3
CH22	1559.79	192.2
CH21	1560.61	192.1
CH20	1561.42	192.0
CH19	1562.23	191.9
CH18	1563.05	191.8
CH17	1563.86	191.7